


TUC-48-HC

 Undercounter Foodservice Refrigerator, 2 Solid Swing Doors



Dimensions		Build		Technical	
External Width (mm)	1229	Door Description	2 Solid Swing Doors	Temperature Holding	0.5 : 3.3°C
External Depth (mm)	766	Exterior Construction	Stainless steel front & countertop, aluminium sides & rear	Refrigerant	R290
External Height (mm)	839	Interior Construction	Clear coated aluminium, stainless steel base	Voltage / Frequency / Phase	220-240V/50-60Hz/1
Exclusions	Depth does not include 26 mm for rear bumpers.	Air Intake Position	Front	Amps	1
Net Volume (Litres)	278	Ventilation Position	Front	Wattage	230
Gross Volume (Litres)	340	Clearance Required	Zero back and sides	Climate Class	5
Supplied Shelves	4	Cord Length (Meters)	2.13	Operating Statement	Heavy Duty: This appliance is intended for use in ambient temperatures up to 40°C.
Shelf Size (L x D mm)	Two 547 x 514 + Two 547 x 349	Standard w/ Locks	Standard	Testing Standard	EN 16825
Internal Net Height (mm)	630			EEC	A
Unpackaged Weight (kg)	107			EEL	24.1
Packaged Weight (kg)	118			kWh/24hr	1.64
Packaged Dimensions (W x D x H mm)	1296 x 839 x 1207			kWh/Annum	602
Supplied Supports	ø 64 mm castors (83 mm height) (reduced height option available, totals 810 mm)			Defrost Type	Auto



Specifications subject to change without notice.
Technical data above related to energy use based on testing of 50Hz or Dual Frequency models
Chart dimensions rounded up to the next whole millimeter (inches rounded up to the 1/8")

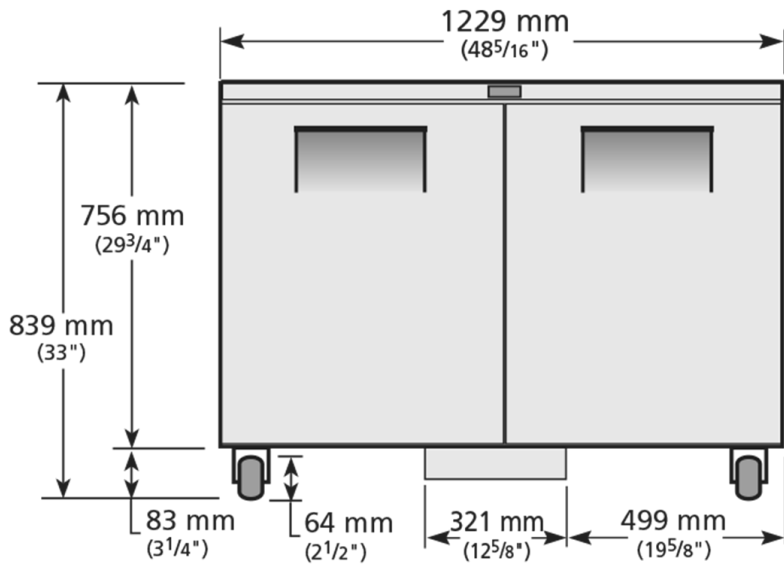
UK & Ireland [0800 783 2049](tel:08007832049)
EMEA [+41 61 563 07 05](tel:+41615630705)
Australia [+61 2 9619 9999](tel:+61296199999)

TFIUK@truemfg.com
TrueCHCustomerService@truemfg.com
TrueRefAus@truemfg.com

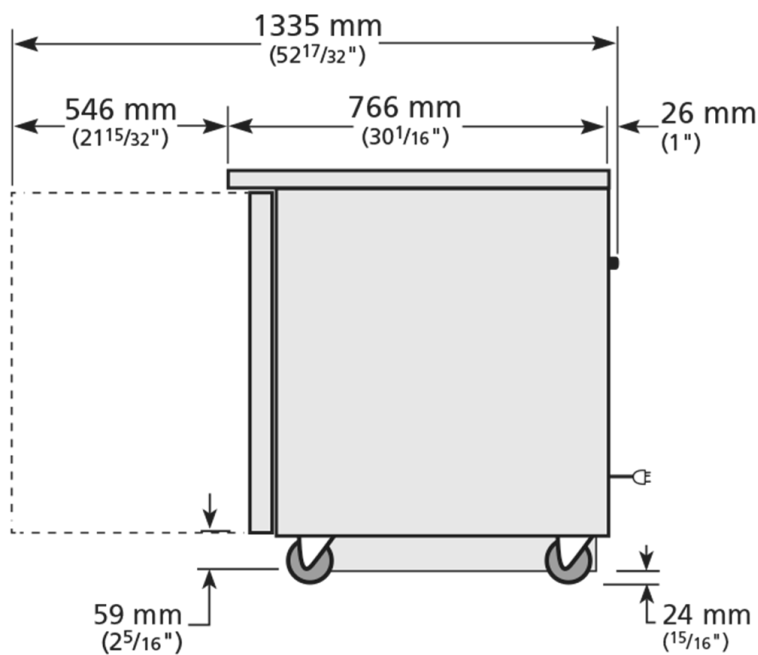


TUC-48-HC

🇬🇧 Undercounter Foodservice Refrigerator, 2 Solid Swing Doors



ELEVATION



Specifications subject to change without notice.
Technical data above related to energy use based on testing of 50Hz or Dual Frequency models
Chart dimensions rounded up to the next whole millimeter (inches rounded up to the 1/8")

UK & Ireland 0800 783 2049
EMEA +41 61 563 07 05
Australia +61 2 9619 9999

TFIUK@truemfg.com
TrueCHCustomerService@truemfg.com
TrueRefAus@truemfg.com

